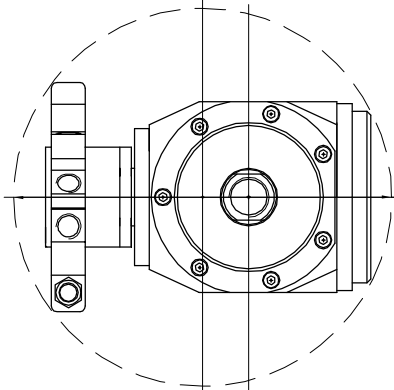


FORO DI PASSAGGIO MINIMO IN ASSE $\phi 238$
MIN. CENTER LINE THROUGH HOLE $\phi 238$



FORO DI PASSAGGIO MINIMO MANUALE $\phi 198$
MIN. MANUAL THROUGH HOLE $\phi 198$

TECHNICAL DATA - 200 BAR VERSION	
OPERATING FLOW RANGE	8 - 200 L/min
OPERATING PRESSURE RANGE	8 - 200 bar
MAX OPERATING TEMPERATURE	90 °C
WASHING CYCLE TIME	2'-12'
WATER INLET	1/2" G
NOZZLES POSITIONS	2 - 4
NOZZLES THREAD	1/4"NPT
O.RING	NBR - EPDM
LUBRICANT	SILICON OIL VISCOSITY 20-100-350-5000
MATERIAL	
INOX AISI 316	WEIGHT 10.5KG
ALUMINIUM	WEIGHT 5.5KG

TECHNICAL DATA - 400 BAR VERSION	
OPERATING FLOW RANGE	8 - 60 L/min
OPERATING PRESSURE RANGE	8 - 400 bar
MAX OPERATING TEMPERATURE	90 °C
WASHING CYCLE TIME	2'-12'
WATER INLET	1/2" G
NOZZLES POSITIONS	2 - 4
NOZZLES THREAD	1/4"NPT
O.RING	NBR - EPDM
LUBRICANT	SILICON OIL VISCOSITY 20-100-350-5000
MATERIAL	
INOX AISI 316	WEIGHT 10.5KG
ALUMINIUM	WEIGHT 5.5KG

RUGOSITA' (UNI 4600)	MODIFICA	1	2	3	4	5
	FOGLIO	XXXX				
GREZZO	DATA	XX.XX.XX				
	TOLLERANZE GENERALI classe m UNI-EN 22768/1					
SGROSS.	0÷6	6÷30	30÷120	120÷400	400÷1000	1000÷2000
	±0.1	±0.2	±0.3	±0.5	±0.8	±1.2
FINITURA	NOTE:	VERSIONE 09				
	MATERIALE:					
RETTIFICA	DESCRIZIONE:	FV020 DISEGNO DI APPLICAZIONE FV020 APPLICATION DRAWING				

Bolondi
CLEANING HEADS
MONTECCHIO E. (RE) - ITALY

DESIGN.: CR CONTR.: DM
DATA: 08.09.09 MOD.
SCALA: 1:2 | A3 | 0

CODICE:
FV020