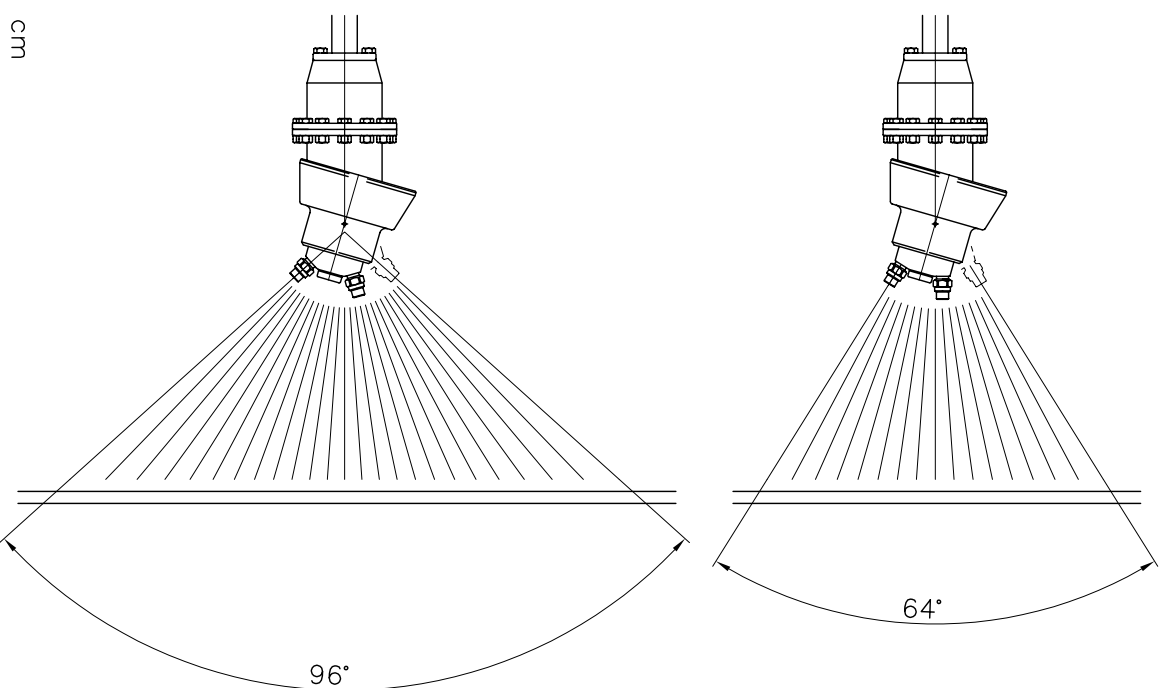



- 2 1/8"NPT NOZZLES POSITIONS ON 64° CONE
- 2 1/8"NPT NOZZLES POSITIONS ON 96° CONE

PLUG NOZZLES POSITIONS NOT USED

| TECHNICAL DATA | |
|-------------------|-------------------------------|
| temperature max | 90°C |
| pressure max | 150 bar |
| flow | 15-60 l/min |
| spinning speed | 25 rpm |
| water inlet | 1/2"G |
| filter | 700 micron |
| nozzle thread | 1/8"NPT |
| nozzles positions | 2 on 64° cone - 2 on 96° cone |
| weight | 3.0 Kg |

file: SW 048 SL cm



| | | | | | | | |
|----------------------|----------------------|-------------------------|---|---|---|---|--|
| RUGOSITA' (UNI 4600) | MODIFICA | 1 | 2 | 3 | 4 | 5 |  CLEANING HEADS MONTECHIO E. (RE) - ITALY |
| GREZZO | FOGLIO | XXXX | | | | | |
| SGROSS: 3.2/ | DATA | XX.XX.XX | | | | | TOLLERANZE GENERALI classe m UNI-EN 22768/1 |
| FINITURA | | | | | | | 0-6 6-30 30-120 120-400 400-1000 1000-2000 |
| RETTIFICA | | | | | | | ±0.1 ±0.2 ±0.3 ±0.5 ±0.8 ±1.2 |
| SCALA | | | | | | | NOTE: |
| | MATERIALE: | INOX | | | | | DISEGN.: CR CONTR.: DM |
| | DESCRIZIONE: | ORBITAL SURFACE WASHING | | | | | DATA: 17.02.09 |
| | INSTALLATION DRAWING | | | | | | MOD. |
| | CODICE: | SW 048 SL | | | | | |